



Installation manual

“Stone”

(Vertical Mounting on balcony railing)

Please respect the following notes!

Please read the following notes carefully before starting the installation, as they are very important for handling the product.

General information

Damages caused by improper handling and/or assembling are void from any liability and warranty claims. Please keep the installation instructions for future reference. These instructions describe the installation and operation of a grid-connected balcony system connected via the final current circuit of a household.

The VDS Power balcony system is designed as a stand-alone mini solar system. It feeds the self-generated energy with up to 800W into the final current circuit of the connected household with the help of the included micro inverter.

This product is not intended to be used by persons (including children) with reduced physical, sensory or mental capabilities, or lack of experience and/or knowledge, unless they have been given supervision or instruction concerning use of the product by a person responsible for their safety. Children must be supervised to ensure that they do not play with the product.

The components have been produced under consideration of high quality and safety requirements. Excluded from the warranty and liability of VDS Power GmbH, however, are personal injuries and damage to property that can be attributed, for example, to one or more of the following causes:

- non-observance of the assembling and installation instructions
- improper assembling, implementing, maintenance and operation
- improperly performed repairs and transports
- unauthorized structural changes to the system kit
- any damage caused by continued use of the system kit despite an obvious defect
- no use of original spare parts and original accessories
- non-intended use of the system kit
- force majeure

Safety information

The safe and proper operation of the device requires proper transport, storage, installation, assembling and proper operation. Before installation, please check all components for any transport or handling damage. If there is any external damage, do not connect the unit.

During installation and operation of the balcony system, the national legal regulations and the connection conditions of the grid operator must be observed. Please note that a residual current device should be installed for safe operation of the circuit.

Please note that the PV-modules of the balcony system generates direct current when there is sufficient solar radiation, which means that the system is live. Please do not disconnect the cables when the system is live. Disconnect the power plug first. Please avoid touching the inverter under load, as the surface may become hot and burns may occur.

The cables must not be under high tensile stress or permanently exposed to liquids. The open plug connections must be provided with a sealing cap in order to be protected against environmental influences.

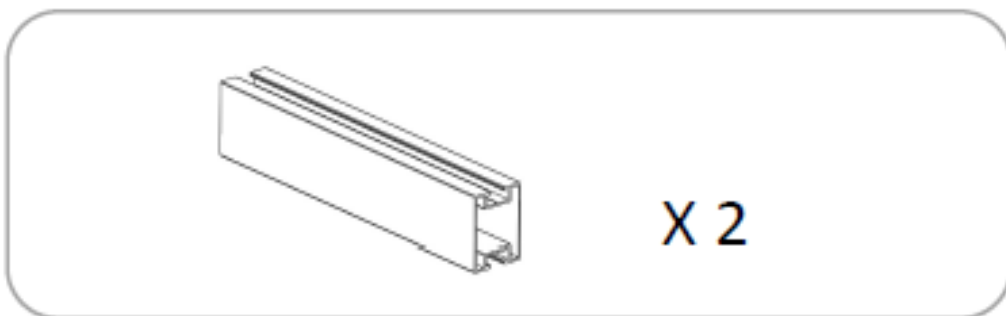
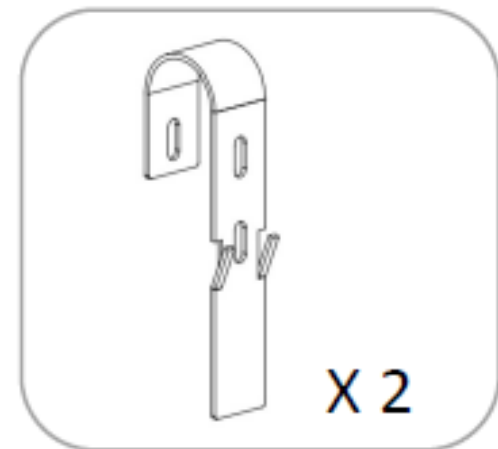
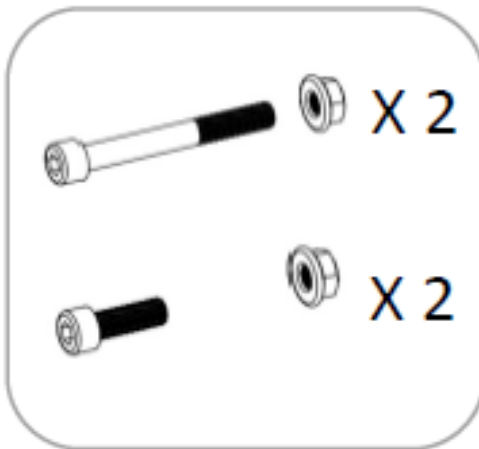
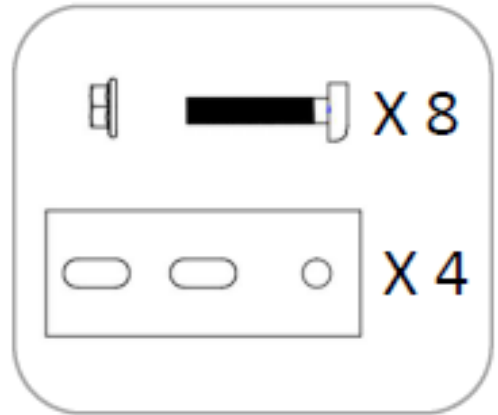
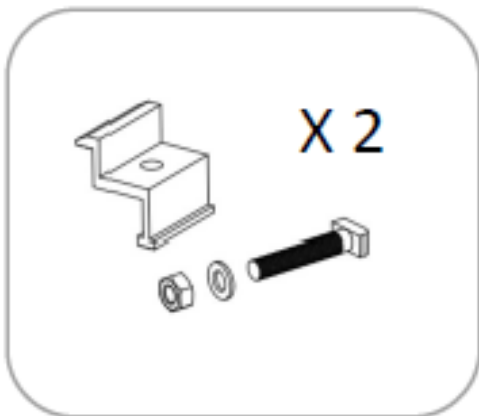
In general, solar power systems are considered to require very little maintenance. VDS Power balcony system do not contain any moving parts that require maintenance. Do not open the housing of the micro-inverter, as it may cause an electric shock. In case of any abnormalities or irregularities, only pull the power plug and do not continue to use the system.

Do not carry out any independent repairs or modifications to the balcony system or other parts of the current system. Repairs and maintenance may only be carried out by qualified personnel. However, carry out a visual inspection at least once a year and check the system for visible defects.

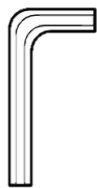
Please make sure that no personal injury can occur due to parts falling from the system. VDS Power GmbH does not assume any liability for the professional installation of the system and its mounting. Especially in case of an installation in or above the public area. After the end of the module life or in case of a defect, the components can be fed into the national recycling circuit.

For further information or queries about national recycling, please contact your retailer from whom you purchased the balcony system.

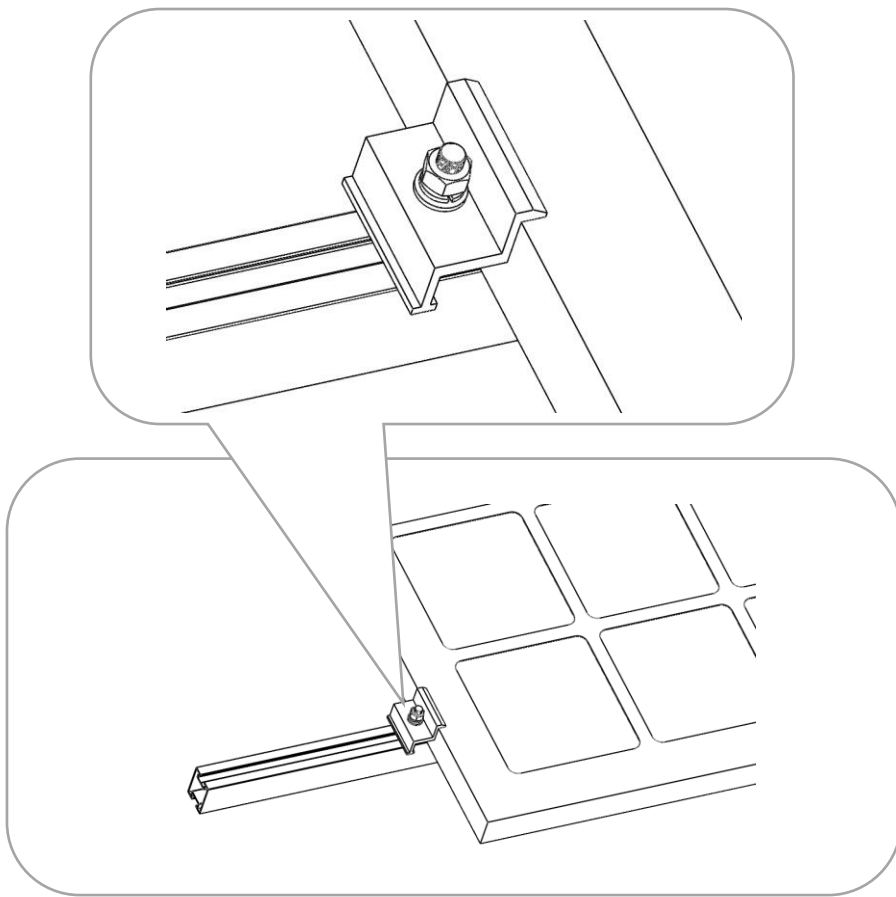
Installation material



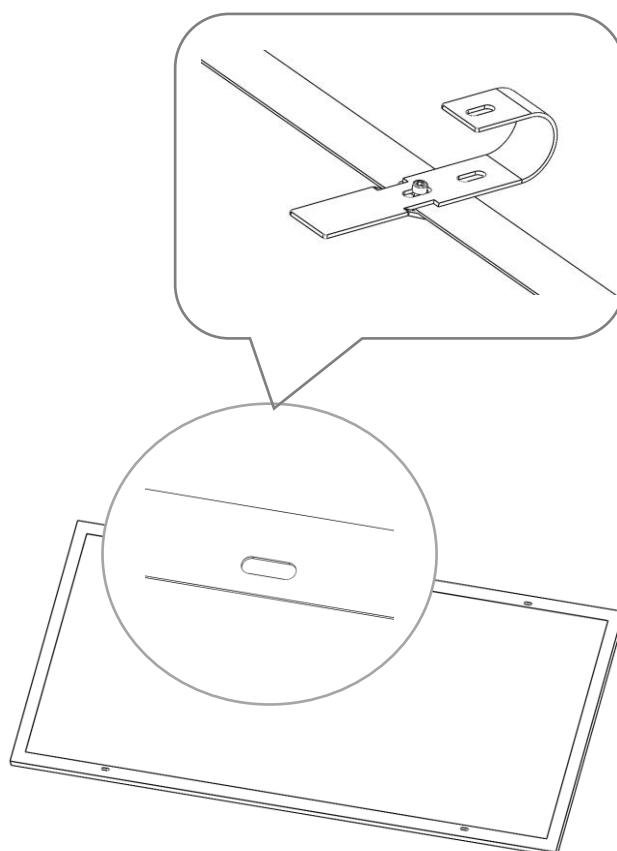
You will need the following tools:



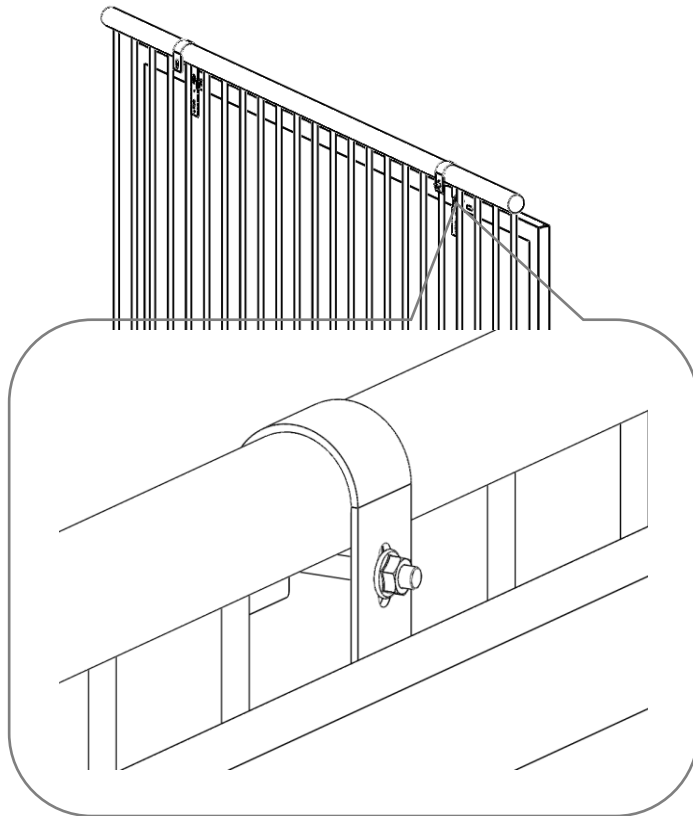
Place the module on the front and slide the rail under the module. Insert the T-bolt into the groove in the rail, place the clamp on top and secure it with the nut.



Turn the module and locate the hole in the rear frame. Use the tooth of the railing hook to fix it to the frame and secure it with an M8x25 screw and nut.



Hang-up the module on the balcony railing and secure the railing hook with an M8x75 bolt and nut.



Insert the T-bolts into the groove in the rails and fix the lower part of the module to the balcony railing using the fixing plate and nuts.

